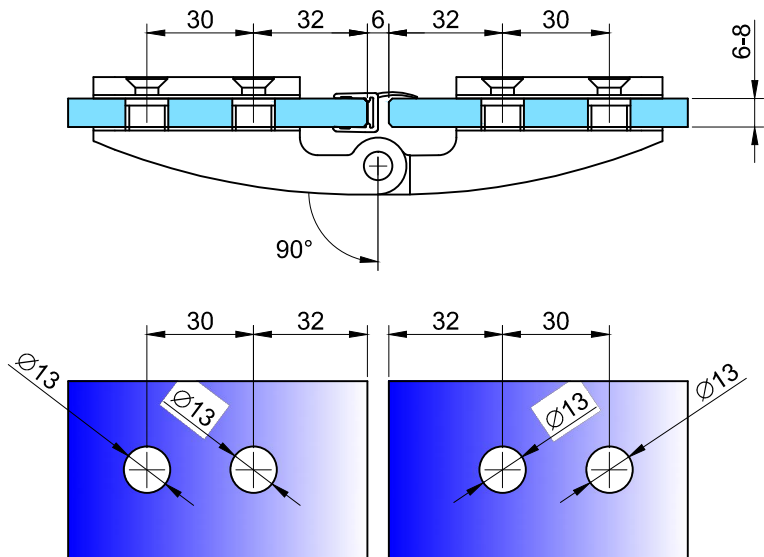
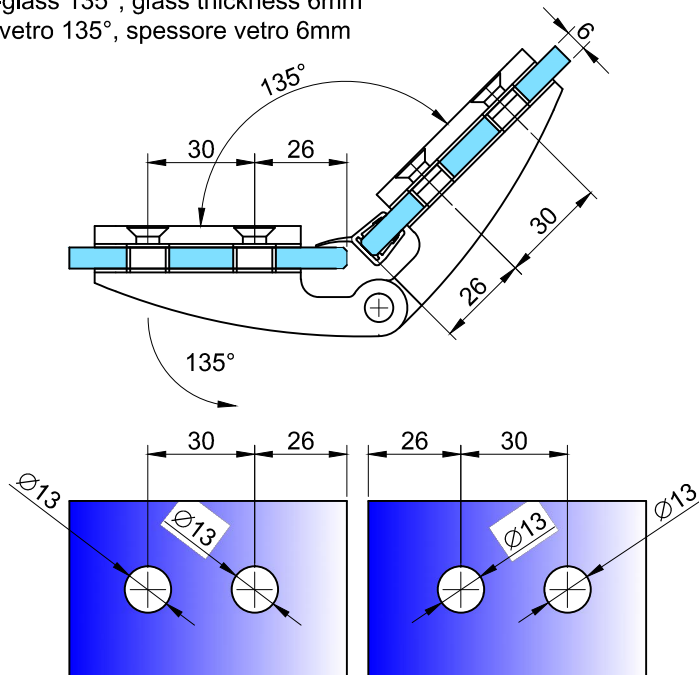


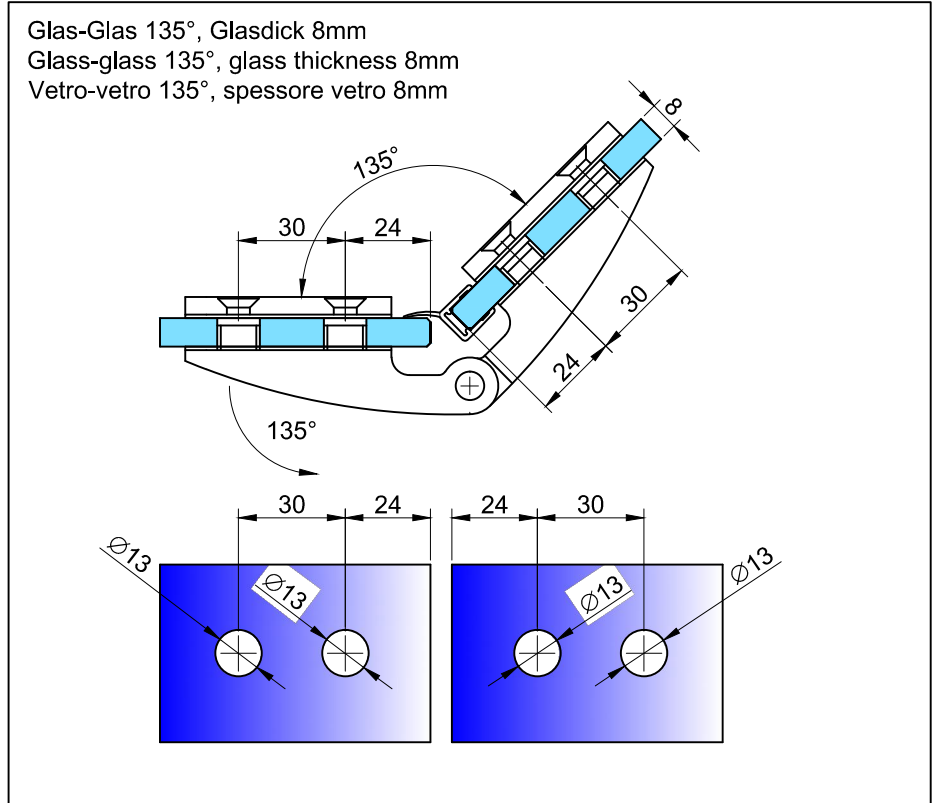
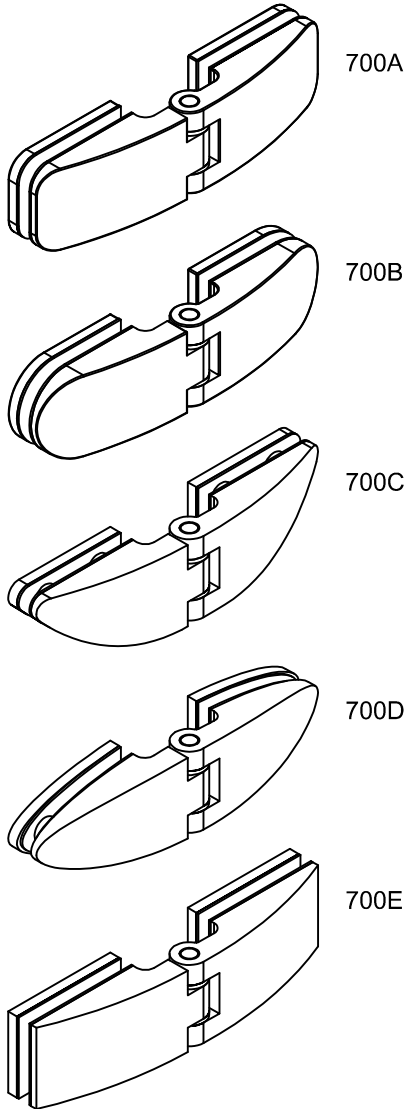
Glas-Glas, Glasdick 6/8mm
 Glass-glass, glass thickness 6/8mm
 Vetro-vetro, spessore vetro 6/8mm



Glas-Glas 135°, Glasdick 6mm
 Glass-glass 135°, glass thickness 6mm
 Vetro-vetro 135°, spessore vetro 6mm



Glasbearbeitung gilt für alle Modelle
 Glass machining valid for all models
 Preparazione lastre valida per tutti i modelli



Glasbearbeitung gilt für alle Modelle
 Glass machining valid for all models
 Preparazione lastre valida per tutti i modelli

Artikel-Nr. Code Codice	Modell Model Modello	Material Material Materiale	Glasdicke Glass thickness Spessore vetro	Max Gewicht Max. Weight Carico max.	Max. Ladung Max. loading size Dimensioni max. Porta
C0010	800A	Aluminium / Messing Aluminium /Brass Alluminio /Ottone	6/8 mm	40Kg	1000xH1900 mm
C0011	800B	Aluminium / Messing Aluminium /Brass Alluminio /Ottone	6/8 mm	40Kg	1000xH1900 mm
C0012	800C	Aluminium / Messing Aluminium /Brass Alluminio /Ottone	6/8 mm	40Kg	1000xH1900 mm
C0013	800D	Aluminium / Messing Aluminium /Brass Alluminio /Ottone	6/8 mm	40Kg	1000xH1900 mm
C0014	800E	Aluminium / Messing Aluminium /Brass Alluminio /Ottone	6/8 mm	40Kg	1000xH1900 mm

Cod.	Oberflächenausführung Surface finish Finiture superficiali
CRO	Glanzverchromt Bright chrome Cromo lucido
CRS	Scotch brite verchromt Scotch brite chrome Cromo satinato
CRP	Matt verchromt Matt chrome Cromo perla opaco
ORO	Glanz Gold Bright gold Oro lucido
BRO	Bronze matt Satin bronze Bronzo satinato